

EFEL  
SERIES  
THE  
TRADITIONNAL  
HEAT®



---

AVRIL  
2011

# E F E L S T O V E S

## - HISTORY -



1856: The Old Factory

Once upon a time...the “asp” company was founded in 1995. the brand evolved in 1998 to become “on aura tout vu”, a french expression meaning “you think you’ve seen it all”.

On aura tout vu made its name at first by creating and producing exclusive fashion accessories, embroideries, buttons and garments for various haute couture brands before starting its own brand collections of ready-to-wear, accessories and couture clothes, home design, fragrances end make-up...

Once upon a time...the “asp” company was founded in 1995. the brand evolved in 1998 to become “on aura tout vu”, a french expression meaning “you think you’ve seen it all”.

On aura tout vu made its name at first by creating and producing exclusive fashion accessories, embroideries, buttons and garments for various haute couture brands before starting its own brand collections of ready-to-wear, accessories and couture clothes, home design, fragrances end make-up...

On aura tout vu made its name at first by creating and producing exclusive fashion accessories, embroideries, buttons and garments for various haute couture brands before starting its own brand collections of ready-to-wear, accessories and couture clothes, home design, fragrances end make-up...

---



Tous les poêles Nestor Martin bénéficient d'un savoir-faire hors pair transmis de génération en génération depuis plus de 150 ans.

La technologie Woodbox, protégée par des brevets internationaux, constitue l'avancée technique la plus importante dans le domaine de la combustion du bois. En plus d'un effet de flamme spectaculaire et très réactif, la technologie Woodbox offre des rendements élevés, des émissions polluantes réduites et des économies de consommation de bois. Les poêles au bois équipés de la technologie Woodbox sont aussi les seuls à disposer d'une commande à distance thermostatique. A un moment de l'histoire de l'humanité où nous sommes tous sollicités pour participer

à la protection de l'environnement, il est essentiel d'utiliser les énergies de manière parcimonieuse. Les combustions extrêmement propres du système Woodbox permettent à tous les poêles Nestor. Après de nombreuses années d'utilisation, l'ensemble des composants avec lesquels chacun de nos poêles a été construit pourra être recyclé. Nestor Martin participe ainsi à la préservation de l'environnement de manière intégrée.

Nestor Martin vous offre une gamme extrêmement variée en tailles et en puissances de chauffe qui permet à chacun de trouver la solution optimale.





*AVRIL 2011*

---

# **EFEL SERIES**

---

*SUMMARY :*

P.7	Technologie Woodbox®	p.25	Points forts
P.9	Modèles S.	p.26	Purs et Simples (Accessoires)
P.13	Gamme C.		
P.17	Modèles Stanford.	p.31	Se chauffer au naturel
p.21	Modèles RH33/43.		





— *Tradition  
&  
Robustesse.*

EFEL SERIES

# STANFORD

80 / 80<sup>+</sup>

Our ancestral tradition as cast iron founders has always been coupled with a spirit of technical innovation, and every Nestor Martin appliance carries with it a technical expertise and an integrity which is unrivalled.

However, at Nestor Martin, uncompromising engineering remains only a means to an end. That's why our stoves are extremely easy to operate.

The Harmony models allow you to enjoying the relaxing comfort of a wood fire, while distributing its warmth throughout your entire home by way of their central heating boiler.

One simple slide control allows you to control the stove's over-glass air intake, and a modulating thermostat controls the under-grate air intake, allowing for precise command of the stove's heat output.

---

## MODELES DIPONIBLES

---



Stanford 80. Graphite



Stanford 80+. Emailé



# STANFORD

80 / 80<sup>+</sup>

## INFORMATIONS TECHNIQUES

	80/80+	140/140+
Puissance nominale EN13240	8kW	12kW
Capacité de chauffe	240m <sup>3</sup>	390m <sup>3</sup>
Diamètre buse	140ext./125int.	180ext./150int.
Rendement	80%	80%
Emissions de CO	0,184%	0,28%
Longueur des bûches max.	350mm	500mm
Poids	135kg/140kg	200kg/205kg
Homologation	CE/DIN	CE/DIN

## EQUIPEMENT STANDARD

Raccordement en départ arrière ou dessus sur Stanford 80 et 140

Raccordement uniquement en départ arrière sur Stanford 80+ et 140+

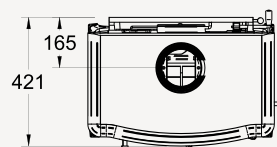
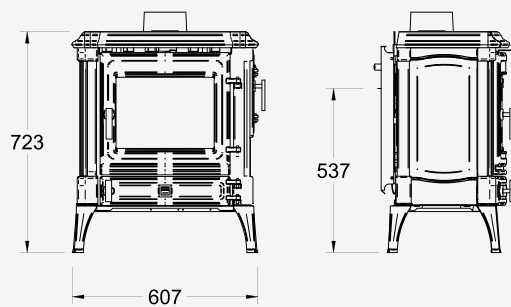
Chargement frontal ou latéral

Grand cendrier

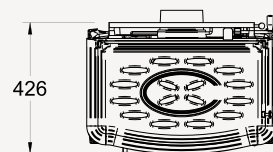
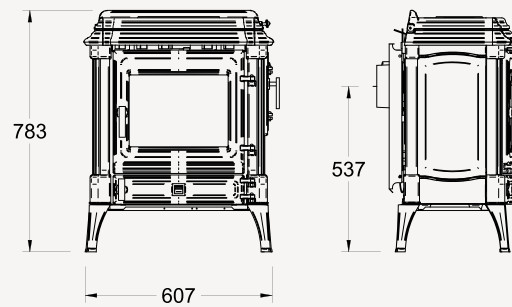
Finition graphite



PLANS ET COTES  
STANFORD 80/80+



Stanford 80



Stanford 80+



— *Tradition  
&  
Robustesse.*

EFEL SERIES

# STANFORD

140 / 140 +

Our ancestral tradition as cast iron founders has always been coupled with a spirit of technical innovation, and every Nestor Martin appliance carries with it a technical expertise and an integrity which is unrivalled.

However, at Nestor Martin, uncompromising engineering remains only a means to an end. That's why our stoves are extremely easy to operate.

The Harmony models allow you to enjoying the relaxing comfort of a wood fire, while distributing its warmth throughout your entire home by way of their central heating boiler.

One simple slide control allows you to control the stove's over-glass air intake, and a modulating thermostat controls the under-grate air intake, allowing for precise command of the stove's heat output.

---

MODELES DIPONIBLES

---



Stanford 140. Graphite



Stanford 140+. Emaillé



# STANFORD

80 / 80<sup>+</sup>

## INFORMATIONS TECHNIQUES

	80/80+	140/140+
Puissance nominale EN13240	8kW	12kW
Capacité de chauffe	240m <sup>3</sup>	390m <sup>3</sup>
Diamètre buse	140ext./125int.	180ext./150int.
Rendement	80%	80%
Emissions de CO	0,184%	0,28%
Longueur des bûches max.	350mm	500mm
Poids	135kg/140kg	200kg/205kg
Homologation	CE/DIN	CE/DIN

## EQUIPEMENT STANDARD

Raccordement en départ arrière ou dessus sur Stanford 80 et 140

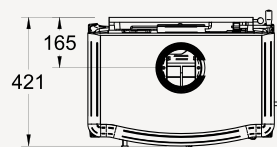
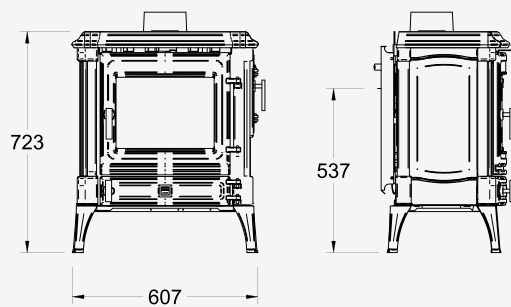
Raccordement uniquement en départ arrière sur Stanford 80+ et 140+

Chargement frontal ou latéral

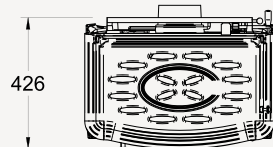
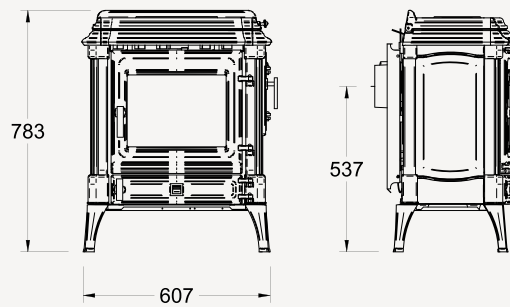
Grand cendrier

Finition graphite

PLANS ET COTES  
STANFORD 140/140+



Stanford 80



Stanford 80+